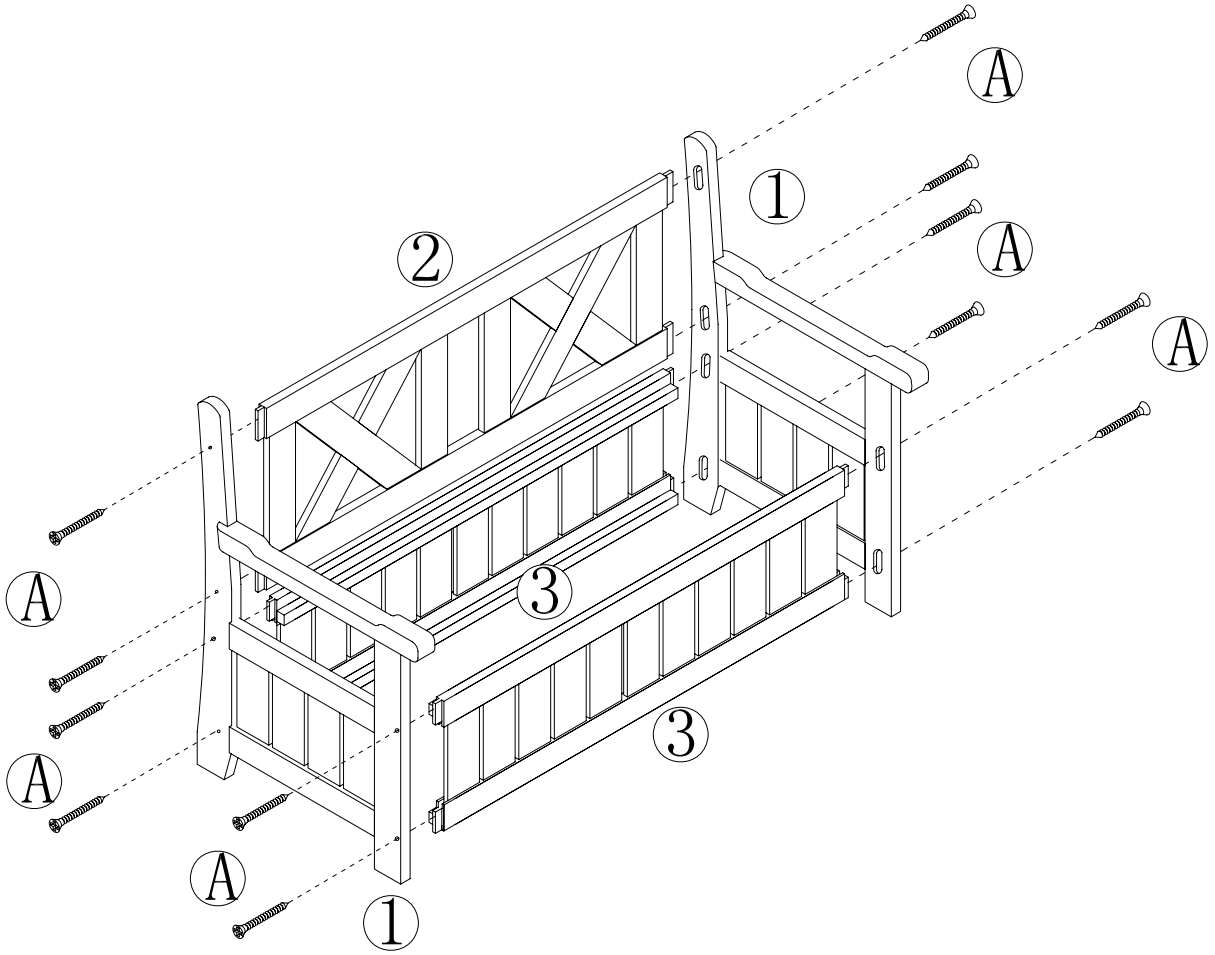
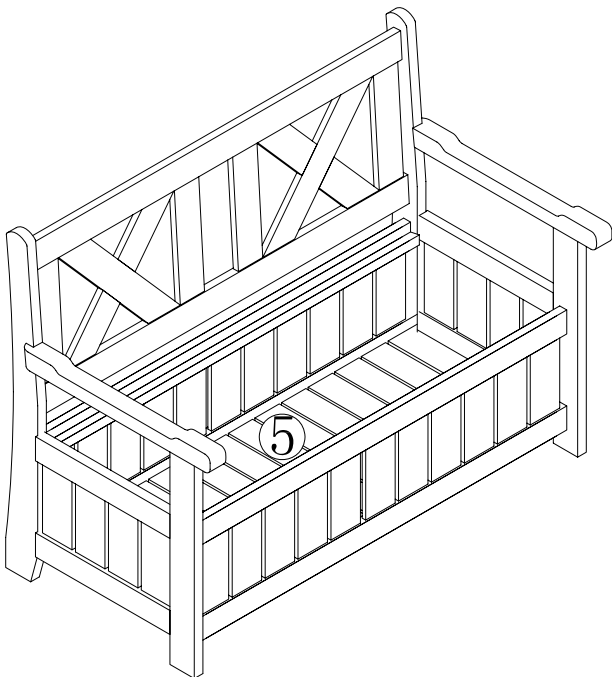


|   |  |      |   |               |       |
|---|--|------|---|---------------|-------|
| 1 |  | 2pcs | 4 |               | 1pc   |
| 2 |  | 1pc  | 5 |               | 1pc   |
| 3 |  | 2pcs | A | <p>3.5*40</p> | 12pcs |

1



2



3

